

 **ASIATIQUE**[®]
Art Redefined





Design Your
With Granite **Kitchen**
Sink

About Us

Nilkanth Sink LLP, founded by Mr. Vipul Patel & Mr. Purvesh Patel in the year 2010.

In the initial years, we started our work with a team of nine people in a small town of Gujarat. Through hard work and struggle of many years we boosted up our investment in various segments and came into being with a brand named **ASIATIQUE**.

More than Ten years ago we had a vision to redefine the traditional sink into a modern sink. Through immense efforts Asiatique established variety of Machines with a lot of professionally managed Administrators, Designers & skilled Workers.

After a decade of hard work we are now known for our products and services in the whole domestic market . We ASIATIQUE are one of the leading company in manufacturing of Granite Sinks in India.

With dedication and hard work of ten years ASIATIQUE has developed a series of high value and competitive products for our clients in Domestic and International Market.



Since 2010

SINK REFERENCE GUIDE



Made in India

India is a born leader, and like many of the countries leaders have believed , India is destined to play an extremely important role in leading the world in the right direction. Asiatique products are proudly made in India, according to the global user and requirement.



ISO 9001:2015 Certified

Asiatique, is an ISO 9001 : 2015 certified company, is committed towards the quality of not only it's products but also manufacturing and supplying of Granite Kitchen Sink, and Accessories.



18 Years of Excellence

We hold dear the glory of 18 years of trust and price addition. Premium quality is binding force of relationships between Asiatique and our valuable customers. We tend to replicate a new definition of luxury, elation and fanciful life with a special bit of innovation.



“India a country known for it’s Culture, Tradition & Art.
We **ASIATIQUE** have a goal to combine all traditional &
cultural art into one bowl for your kitchen.”

- Team Asiatique

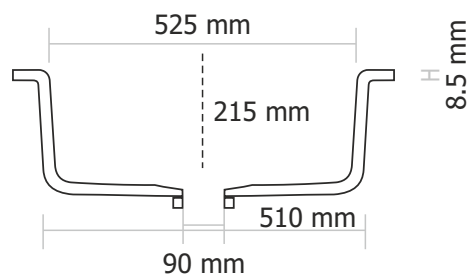
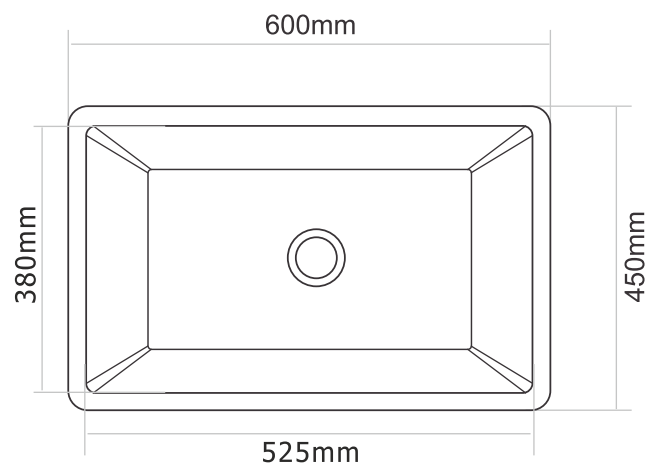






IKON SINK (D - 101)

Type : Single Bowl

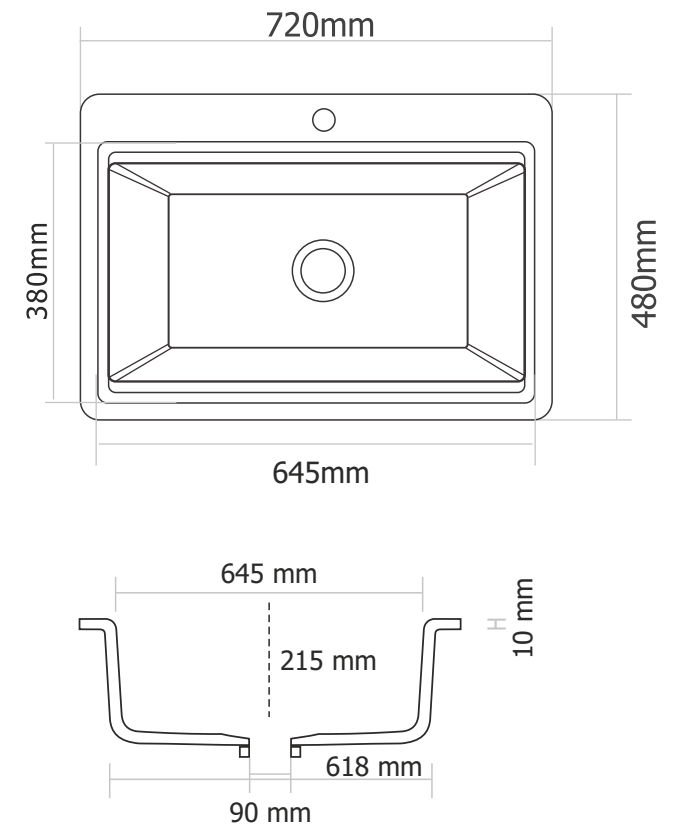


Color : Rusty [Premium Metallic]

Available Size : 600x450x214 mm , 24x18x8 inch

PRECIS SINK (D - 102)

Type : Single Bowl



Color : Venus [Granite Color]

Available Size : 720x480x215 mm , 28.5x19x8 inch

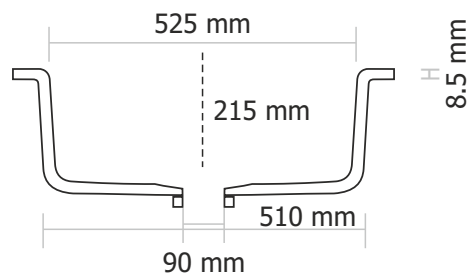
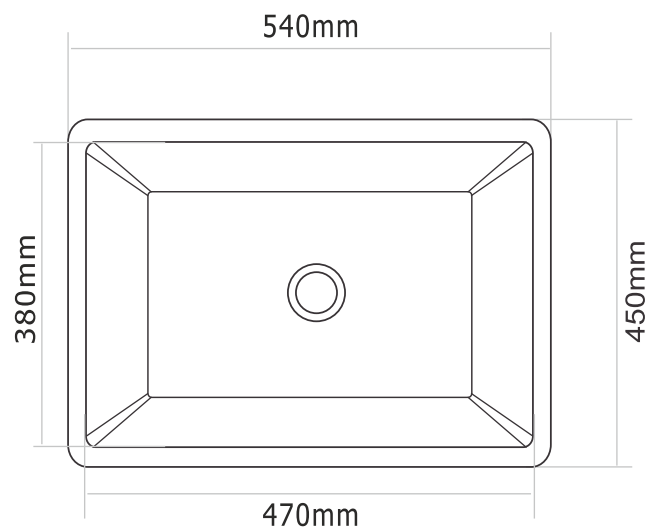






ARENA SINK (D - 103)

Type : Single Bowl

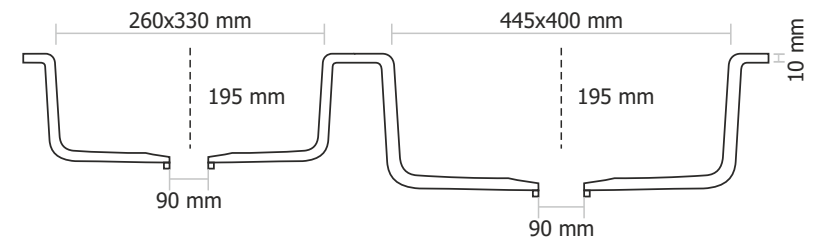
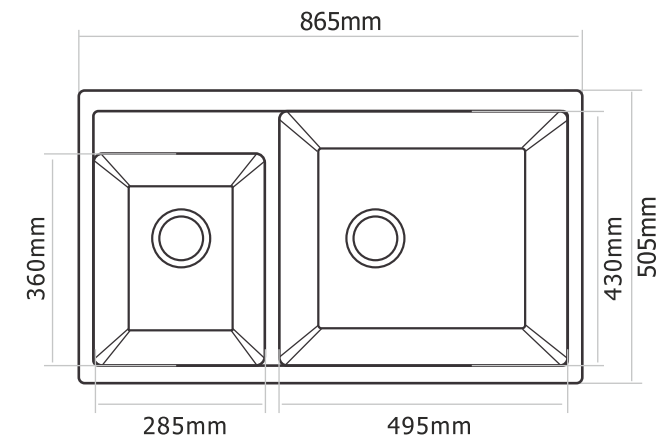


Color : Mars [Granite Color]

Available Size : 540x450x220 mm , 21x18x9 inch

ALEX SINK (D - 201)

Type : Double Bowl



Color : Bronze [Premium Metallic]

Available Size : 865x505x215 mm , 34x20x8 inch

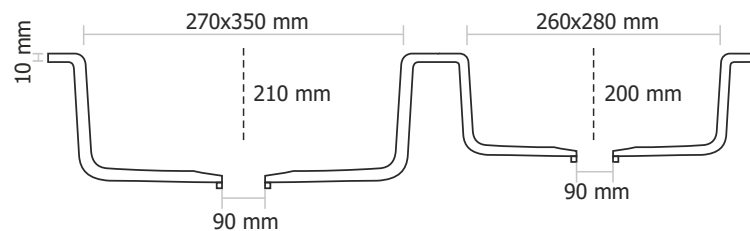
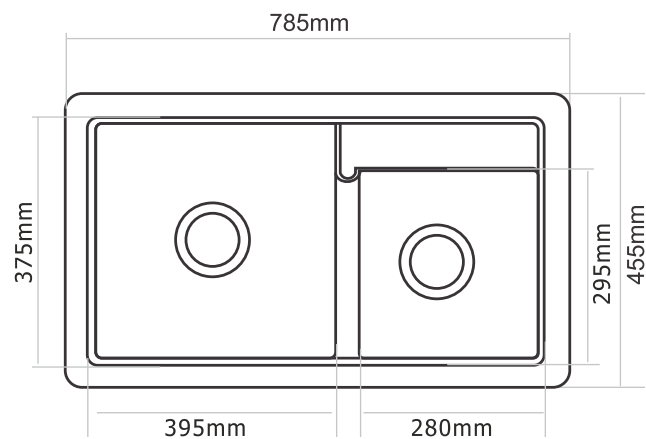






VIENNA SINK (D - 202)

Type : Double Bowl

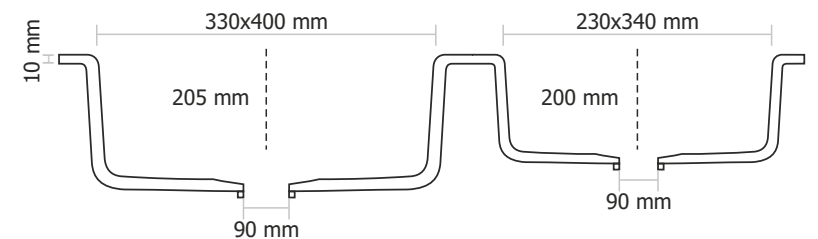
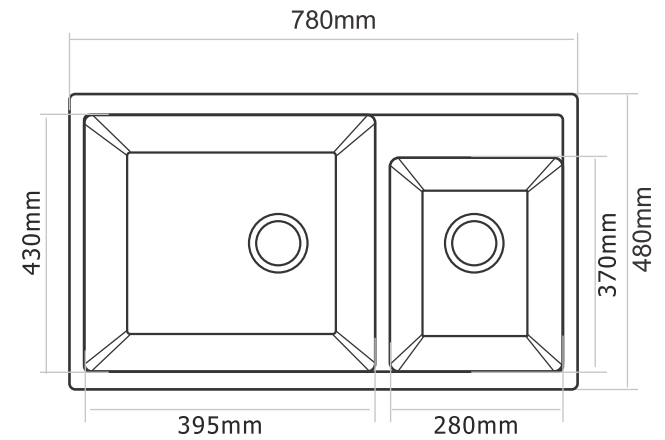


Color : Pluto [Granite Color]

Available Size : 785x455x210 mm , 31x18x8.3 inch

VISION SINK (D - 203)

Type : Double Bowl



Color : Mercury [Metallic Color]

Available Size : 780x480x205 mm , 31x19.5x8 inch

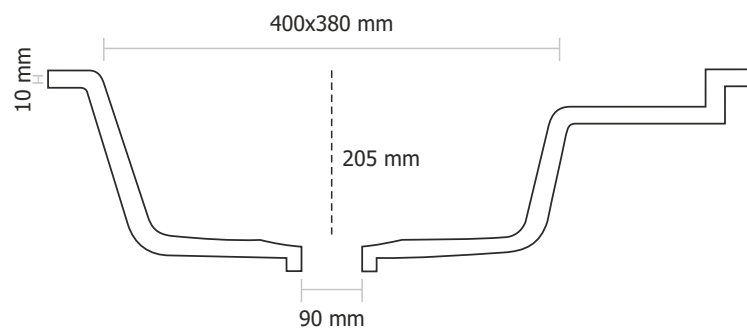
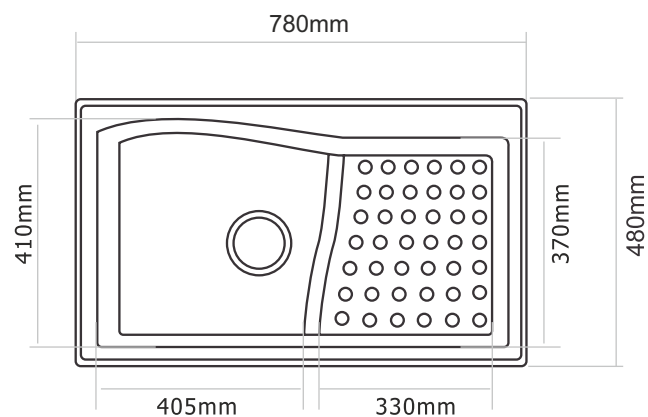






METRA SINK (D - 301)

Type : Single Bowl with Dip Drainer

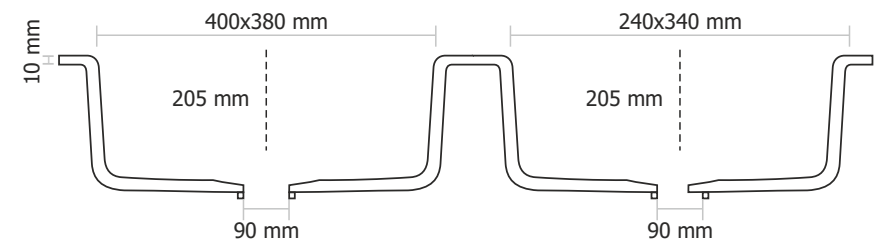
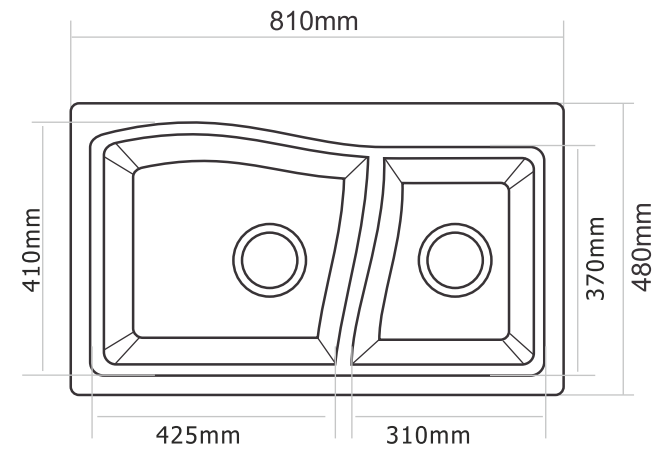


Color : Venus [Granite Color]

Available Size : 780x480x205 mm , 32x19x8 inch

DIAMOND SINK (D - 302)

Type : Double Bowl



Color : Eros [Granite Color]

Available Size : 810x480x205 mm , 32x19x8 inch

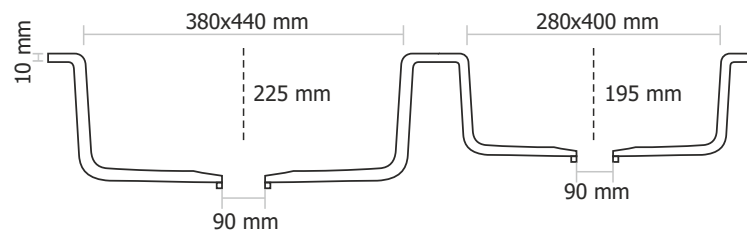
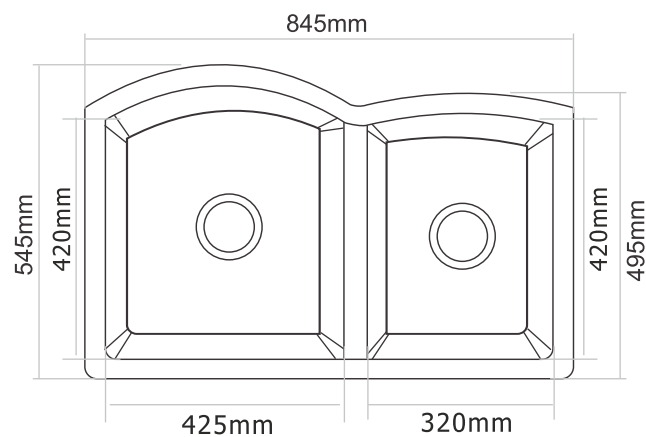






IMPERIAL SINK (D - 401)

Type : Double Bowl

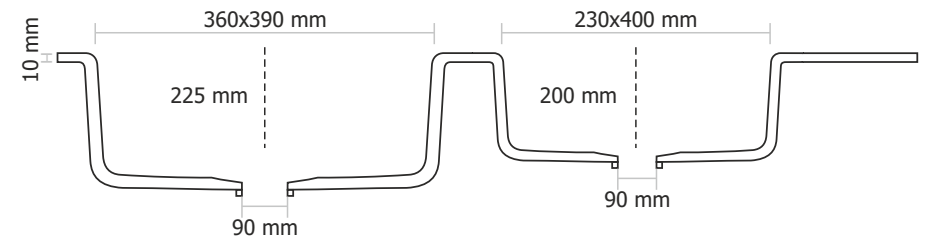
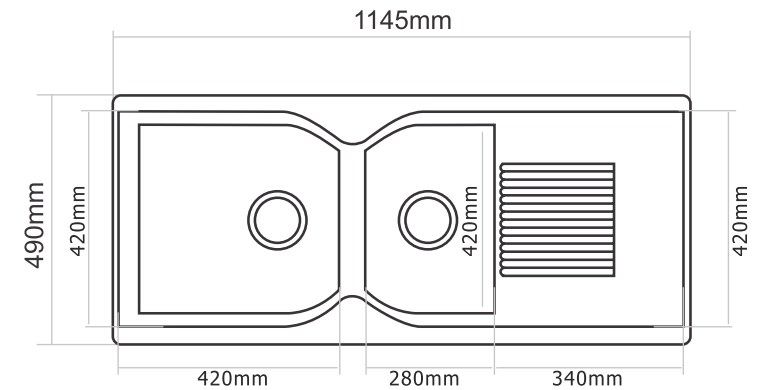


Color : Bronze [Premium Metallic]

Available Size : 845x545x225 mm , 33x21.5x8.9 inch

LEXA SINK (D - 501)

Type : Double Bowl with Drainer



Color : Rusty [Premium Metallic]

Available Size : 1145x492x225 mm , 45x19.5x8.9 inch

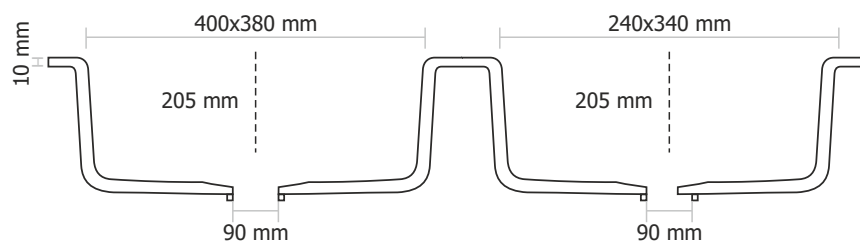
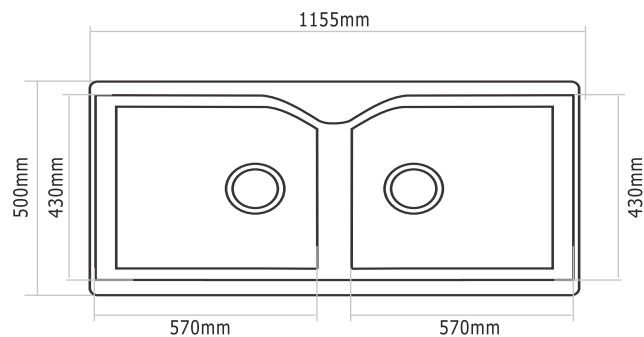






ELITE SINK (D - 502)

Type : Double Bowl



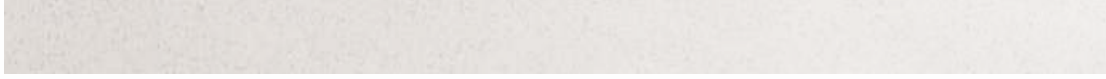



Color : White [Metallic Color]




Available Size : 1155x500x230 mm , 45x19.5x9 inch

Colors / Shades

Granite

	Eros
	Mars
	Pluto
	Venus

Metallic

	White
	Black
	Mercury

Premium Metallic

	Bronze
	Rusty

Notes :

Products shown here is only for demonstration purpose, actual product may vary from the product as shown in the catalogue. Specification of the product may change without any prior information. All the test/ performance are according to standard condition. Color shown is the representative color and may vary from the actual product. All size in inches are approx.

Features of Granite Kitchen Sink



Scratch Resistant



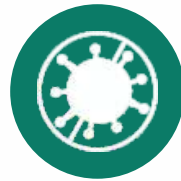
Easy To Clean



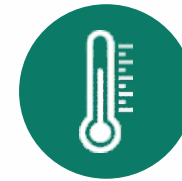
Stain Resistant



Long Lasting Quality



Hygienic



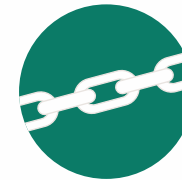
Heat Resistant



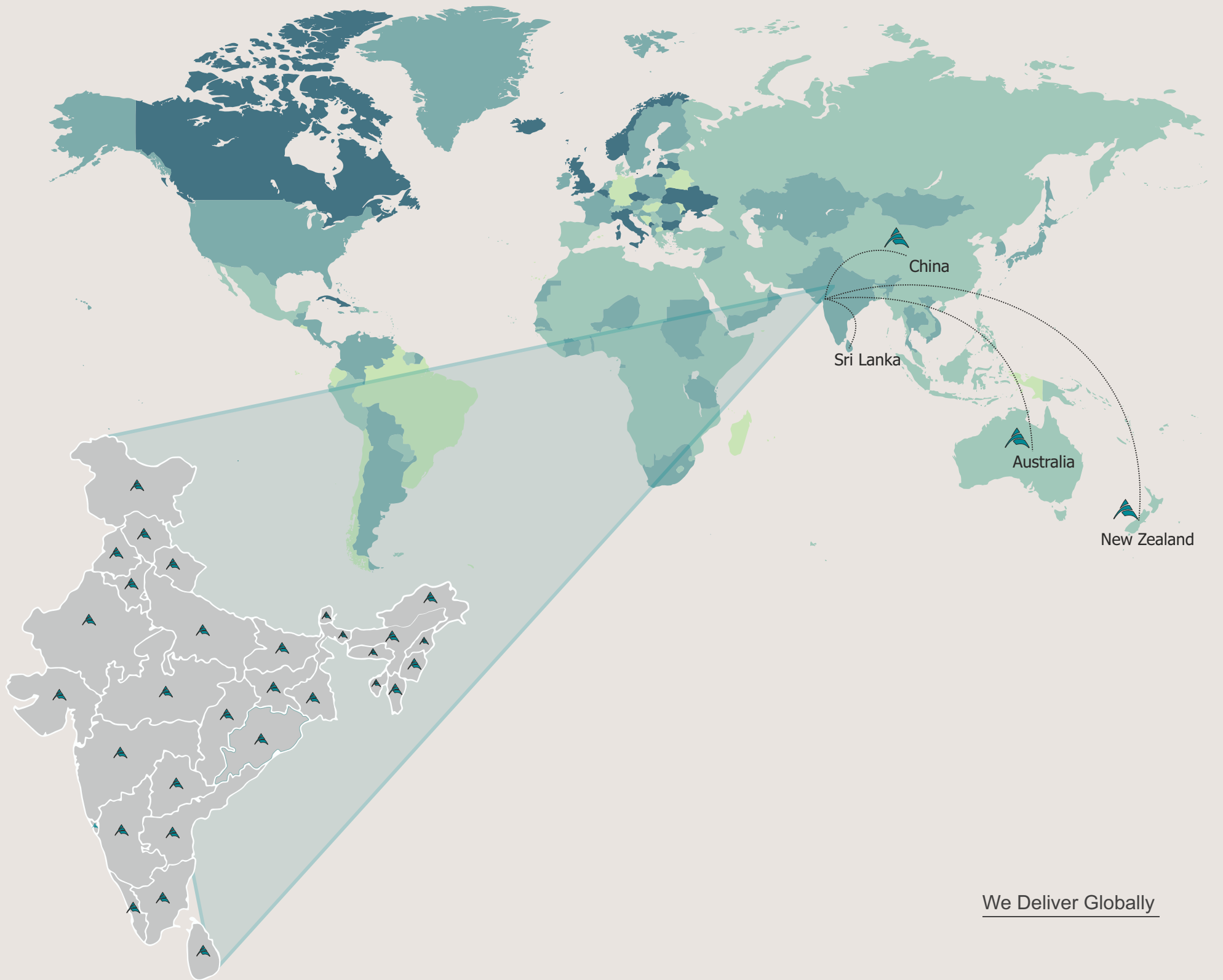
Range of Colors



Certified Quality



High Durability



We Deliver Globally





Regd. Office :
Nilkanth Sink LLP.
Vasudara Dairy Road, Near College, Thala,
Chikhli - 396521, Dist. Navsari (Gujarat) INDIA.
info@asiatique.in, www.asiatique.in

Our Presence:



DISCLAIMER : The product information & application details given by the company & its agents has been provided in good faith & meant to serve only as a general guideline during usage. Users are advised to carry out tests & take trials to ensure on the suitability of products meeting their requirement prior to full scale usage of our products. Since the correct identification of the problems, quality of other materials used and the on-site workmanship are factors beyond our control, there are no expressed or implied guarantee / warranty as to the results obtained. The company does not assume any liability or consequential damage for unsatisfactory results, arising from the use of our products.